

**DETAILS FOR PARASEAL LG INSTALLATIONS 2**

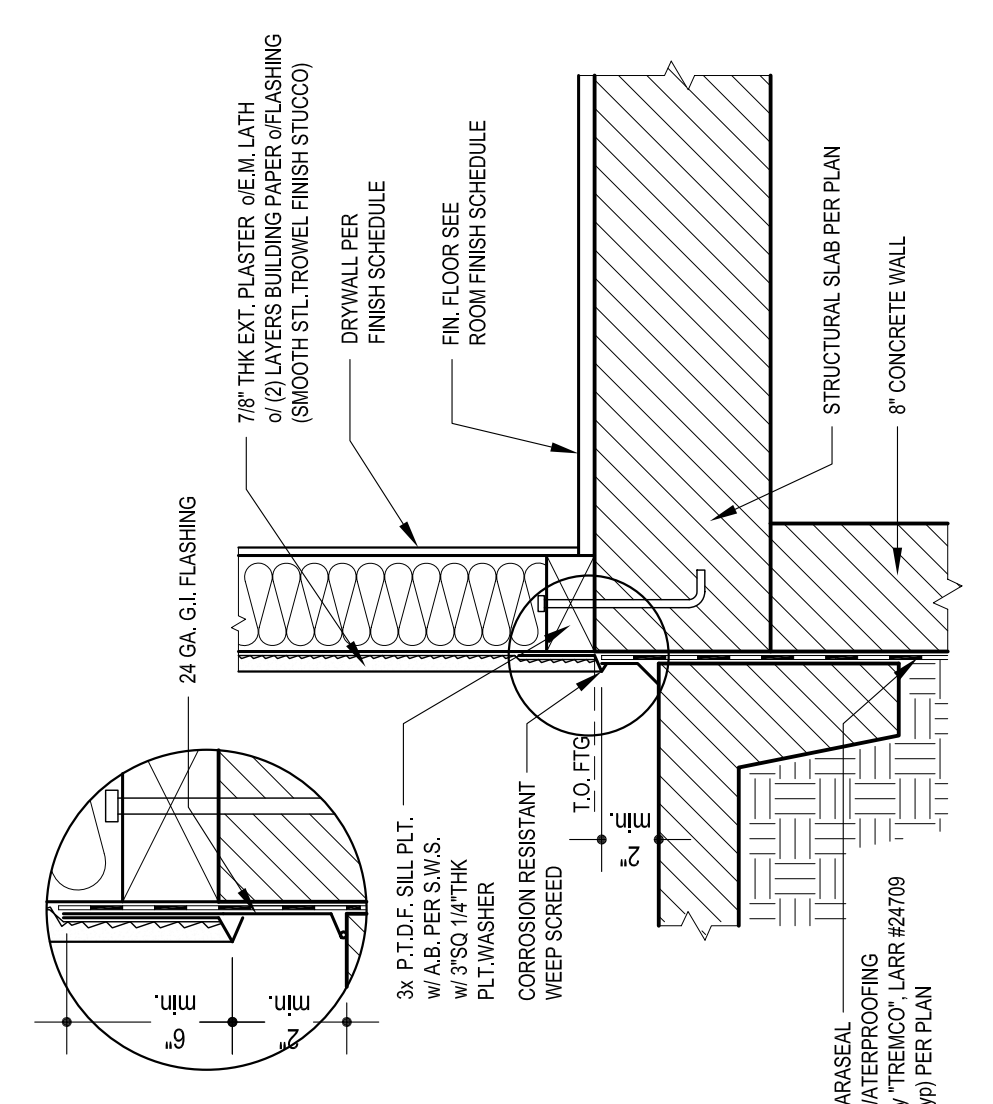
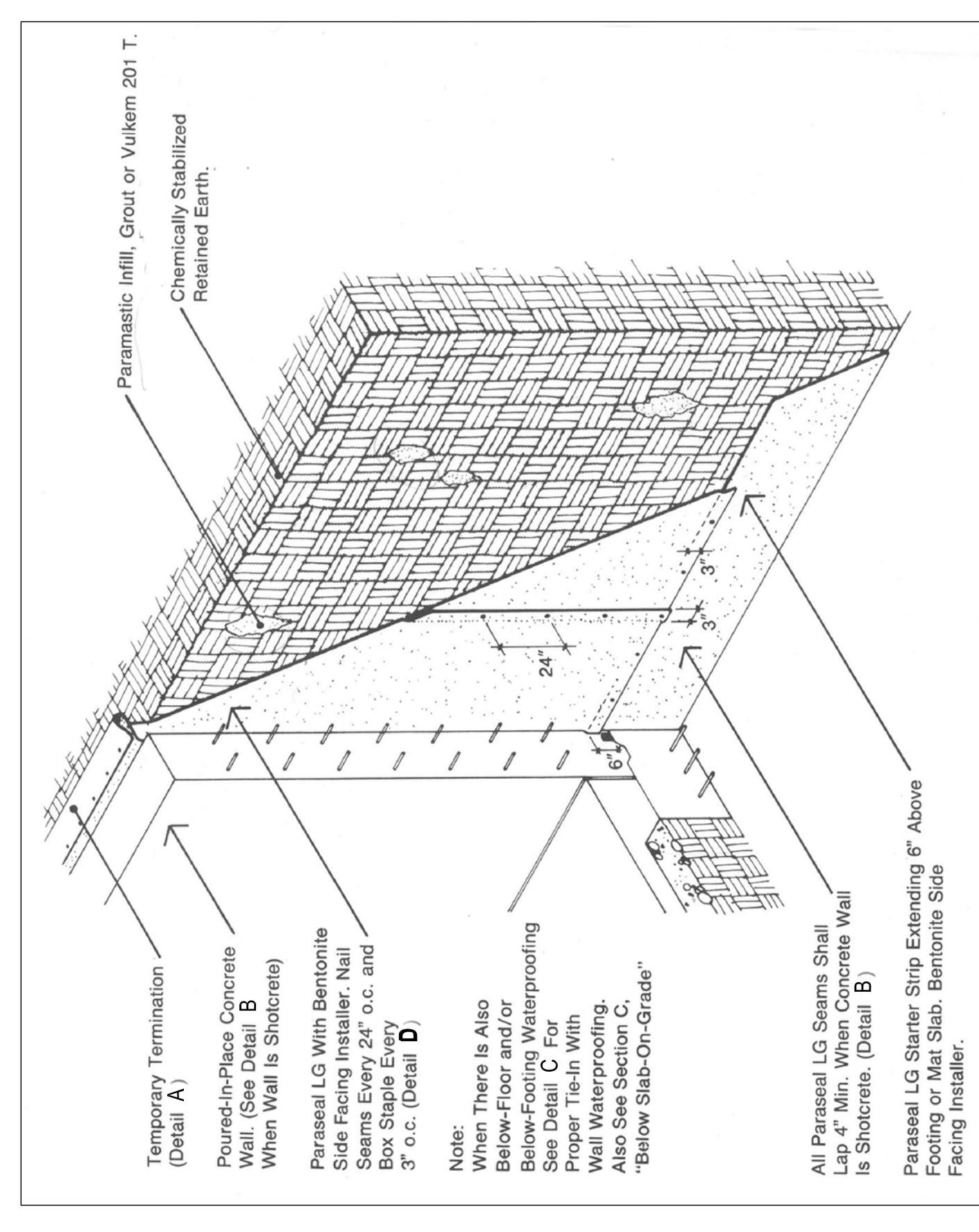
**GENERAL INSTALLATION NOTES**

**Preparation:**

- When there is a break in the wall or below coping waterproofing, the tie-in detail between wall and earth retaining system used on your particular project: Chemically Stabilized Earth.
- When there is below floor and/or below coping waterproofing, the tie-in detail between wall and earth retaining system used on your particular project: Chemically Stabilized Earth.
- Waterproof all protrusions such as tie-backs, bolts etc. (Details 1 thru 7, and 11).
- Prepare waterproofing at all expansion joint locations (Detail 13) and at all plaster construction joints not adjacent to plaster require the special Paraseal LG. (Details 1 thru 7, and 11).
- Temporary terminate Paraseal LG at the top of concrete wall with a minimum of three (3) inches for shotcrete walls. Nail all seams every 24" o.c. and wood lapping and a bow stake on all other earth retaining systems (Detail 20). For structures with open edge forming upward (Detail 16), vertical seams should occur at least 4" from the top and 4" from the bottom of the wall.
- When the placement of either inside or outside wall placement repair any Paraseal LG installation which has been damaged.
- If the structural wall is poured-in-place, the concrete should be placed in a minimum of 4" above the Paraseal LG. If the structure wall is shotcrete, the Paraseal LG should be installed first. (Figure 2 thru 7).

**Wall Placement:**

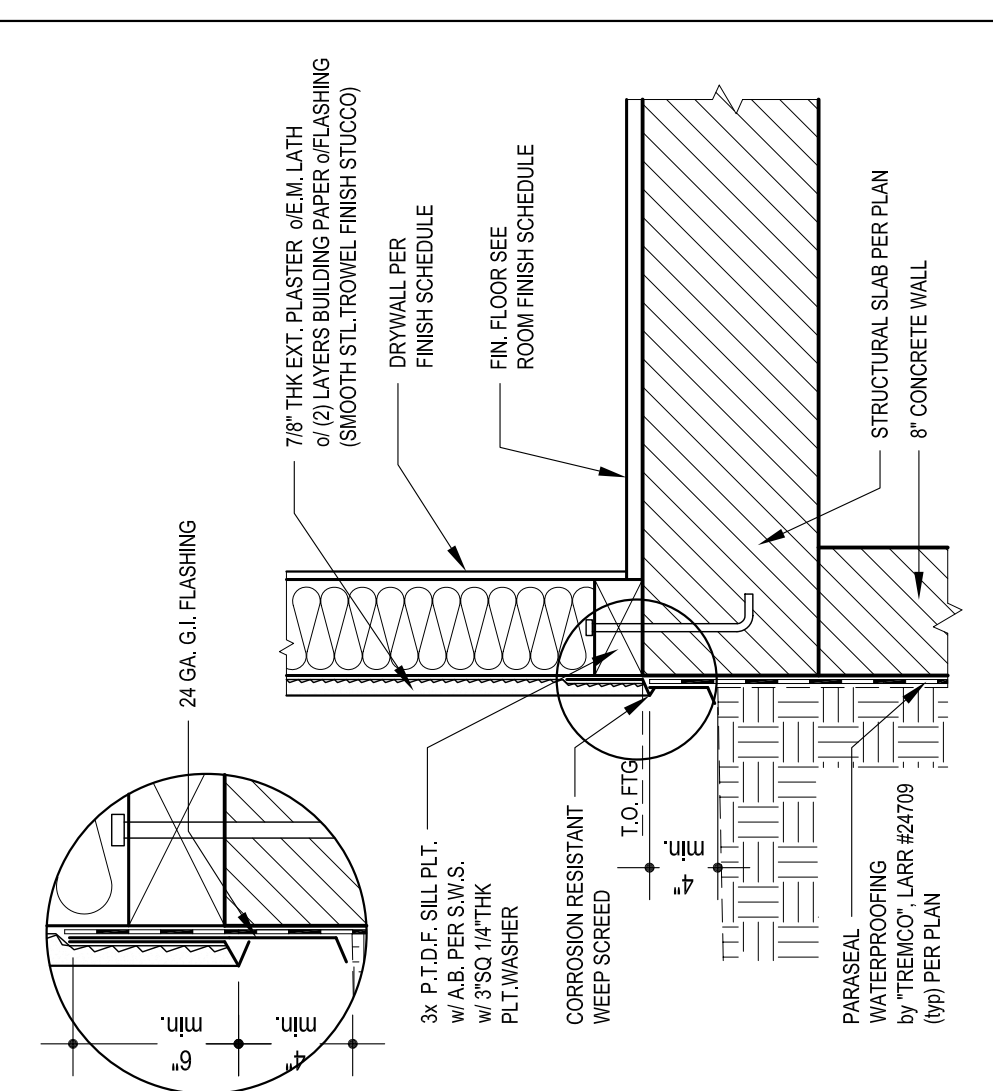
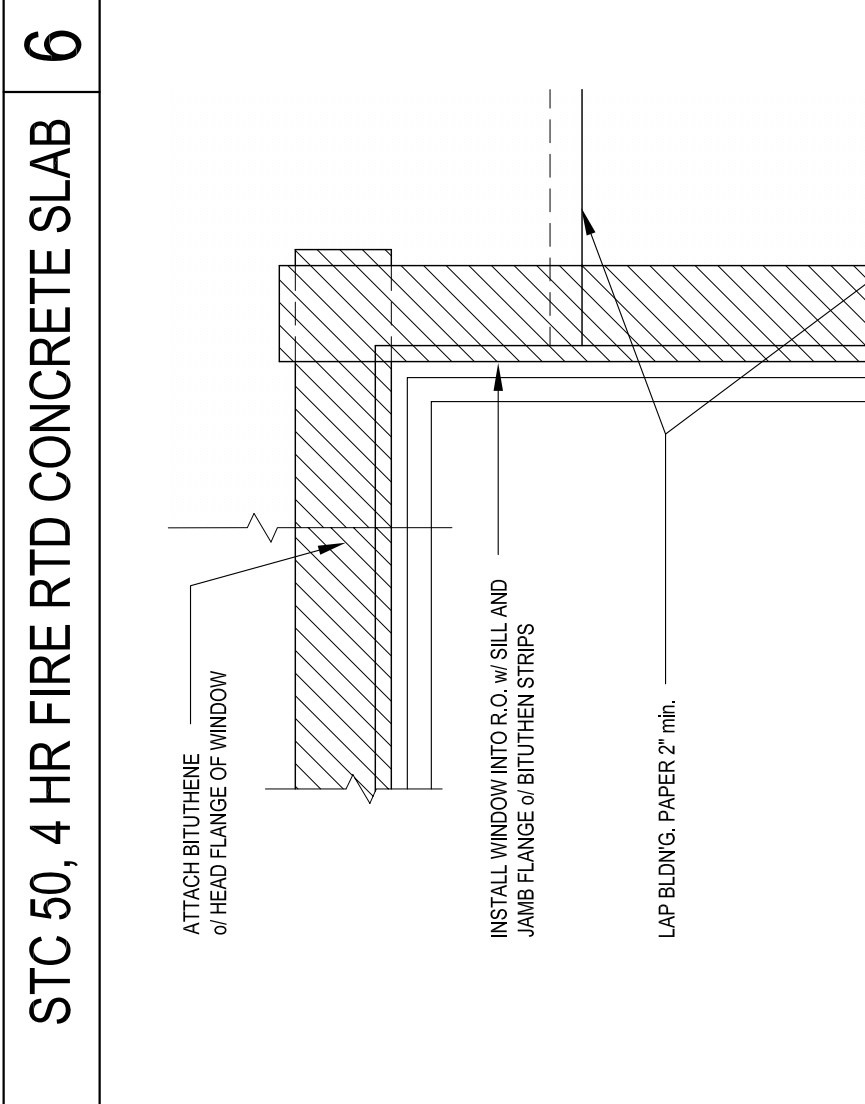
- Prior to wall placement repair any Paraseal LG installation which has been damaged.
- If the structural wall is poured-in-place, the concrete should be placed in a minimum of 4" above the Paraseal LG. If the structure wall is shotcrete, the Paraseal LG should be installed first. (Figure 2 thru 7).



**WEEP SCREED ABOVE PAVED AREA 4**

**NOTES:**

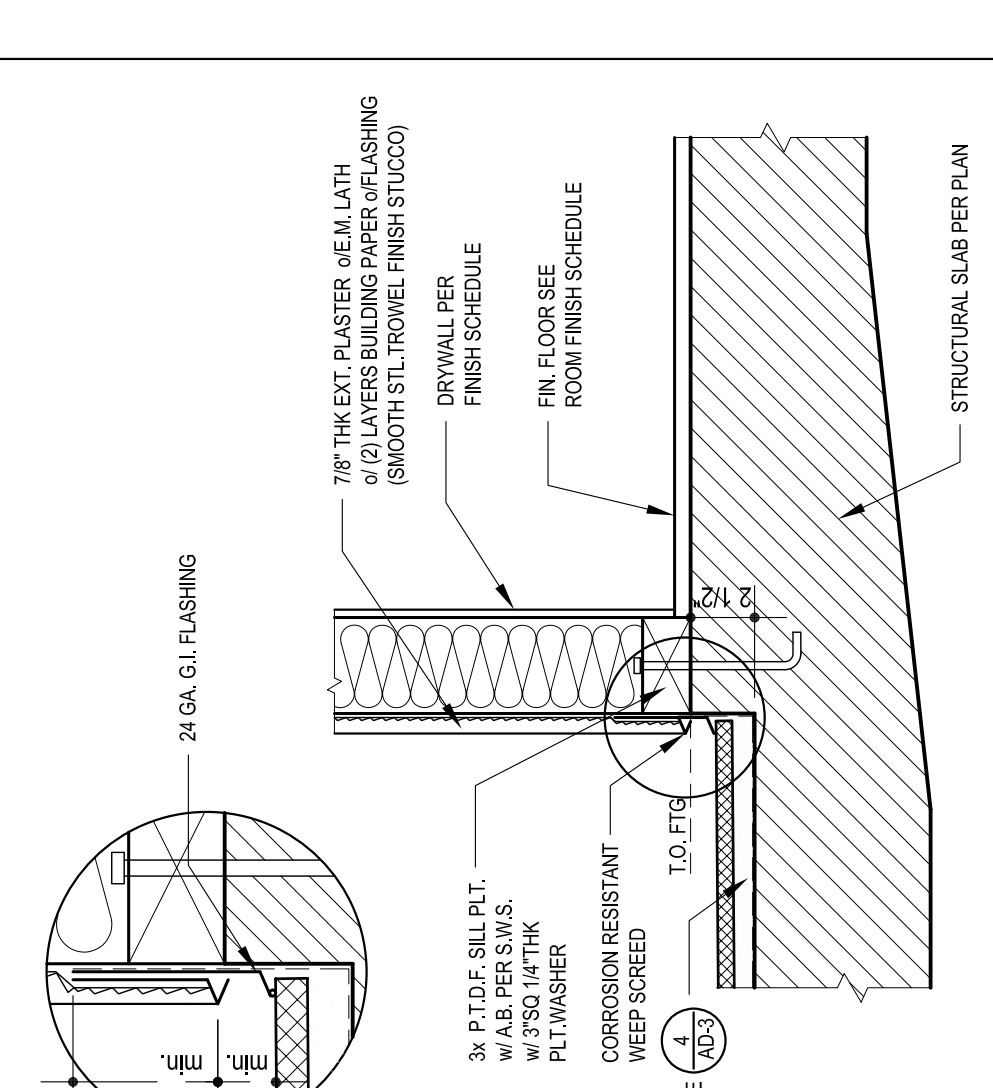
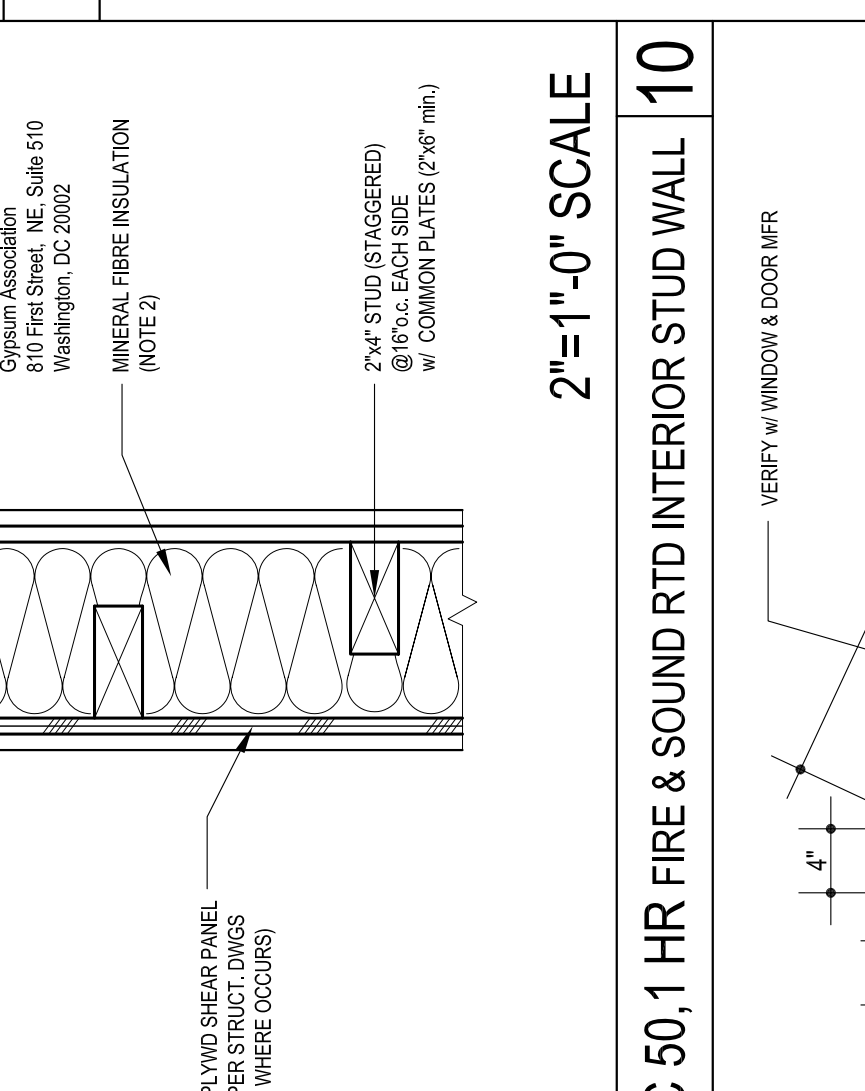
1. 1/2" x 1/2" x 3/4" galvanized steel mesh or 1/2" x 1/2" x 3/4" galvanized steel mesh.
2. 1/2" x 1/2" x 3/4" galvanized steel mesh or 1/2" x 1/2" x 3/4" galvanized steel mesh.



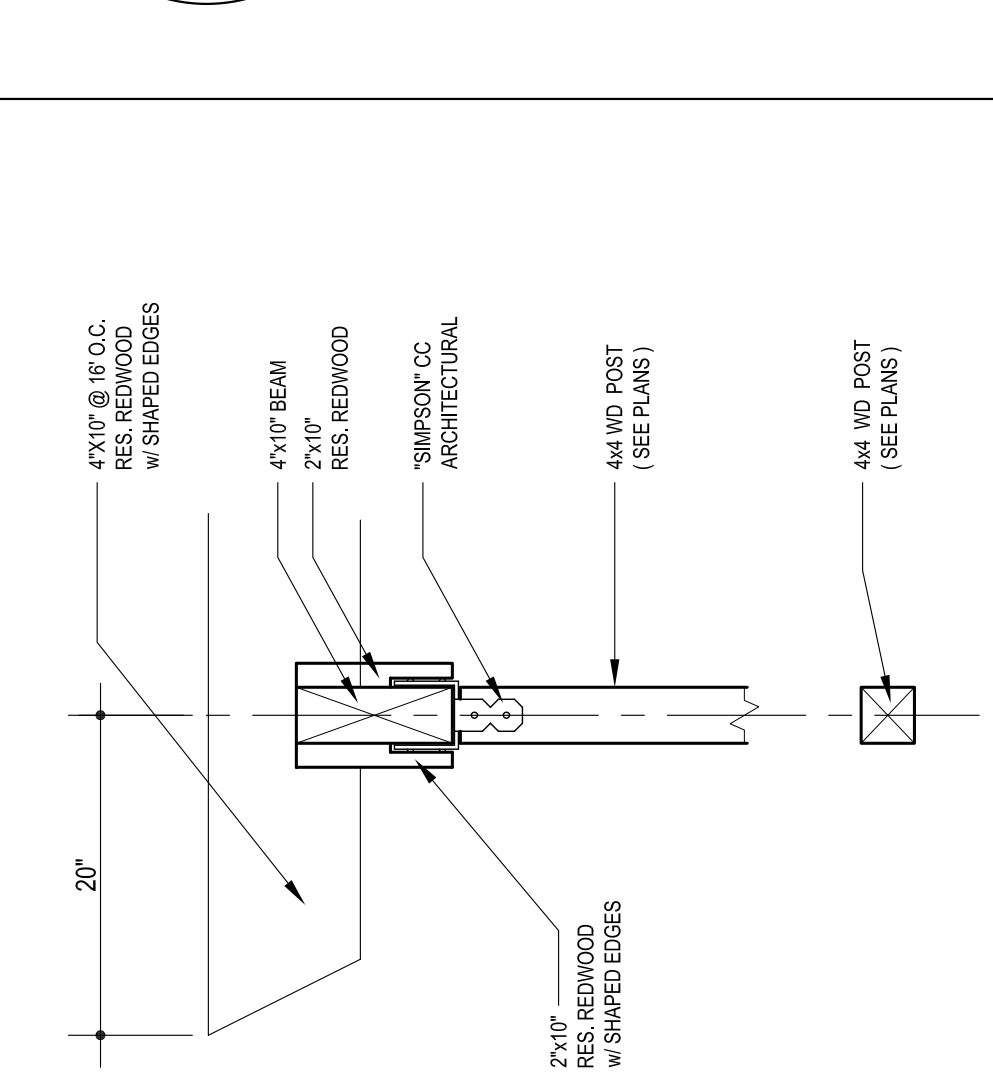
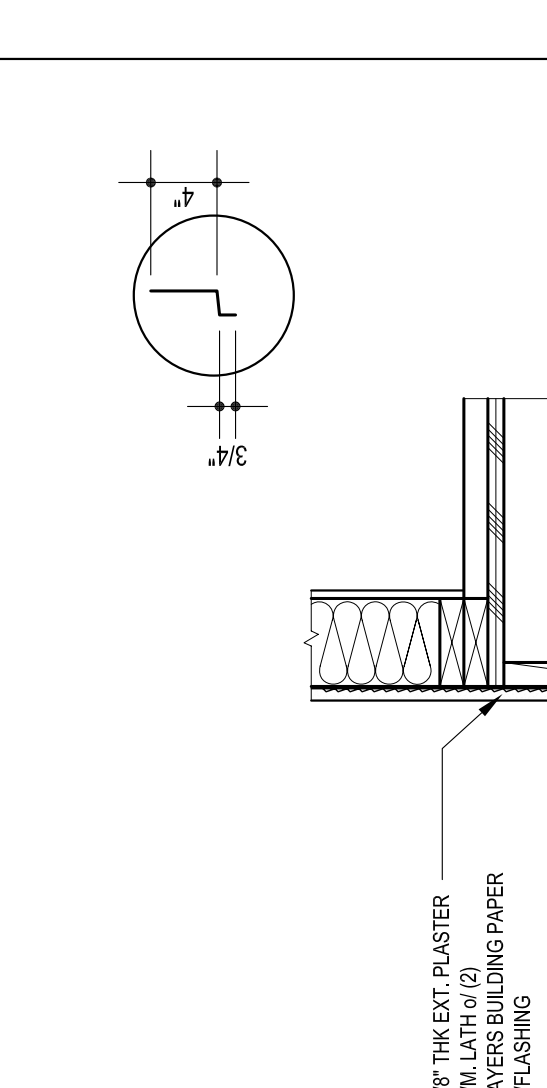
**WEEP SCREED ABOVE EARTH 7**

**GENERAL NOTES:**

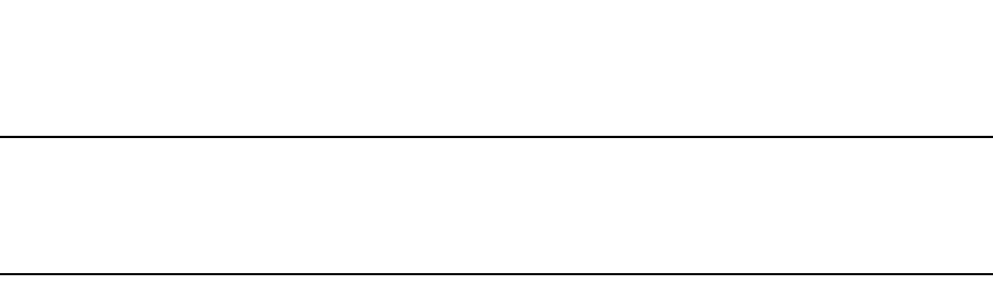
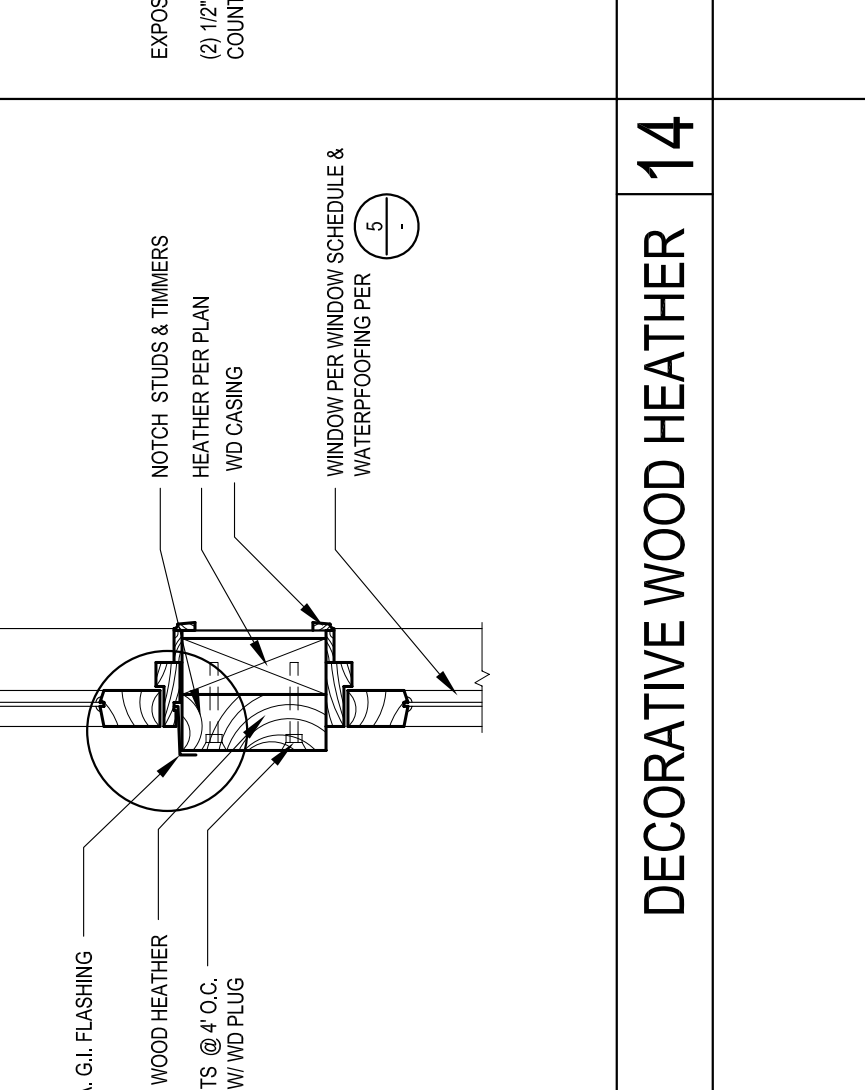
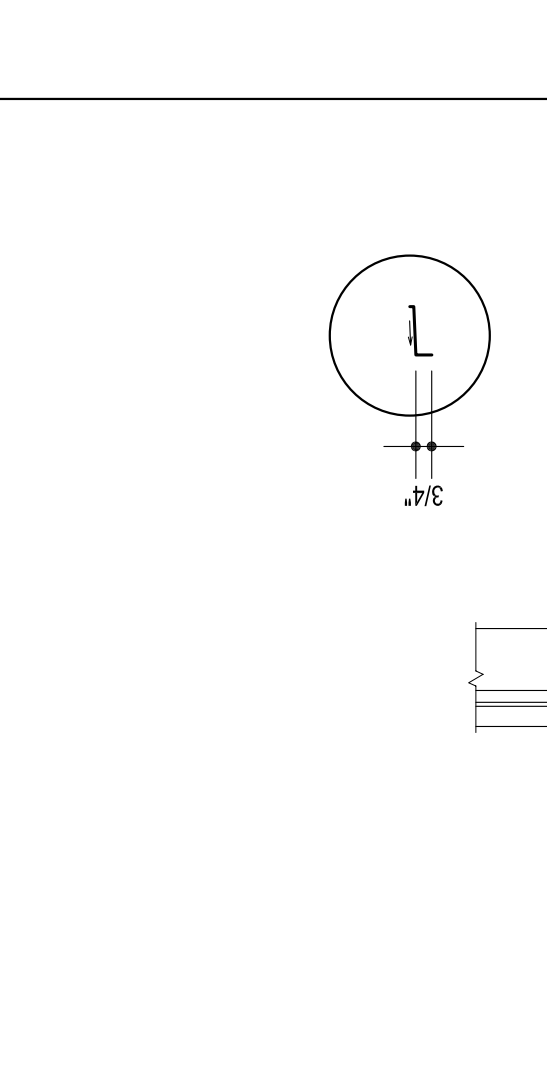
1. STC 50, 4 HR FIRE RTD CONCRETE SLAB.
2. The mineral fibers insulation shall have a thermal resistance R-value of 11 or greater, as determined by Federal Specification RRR-421B.



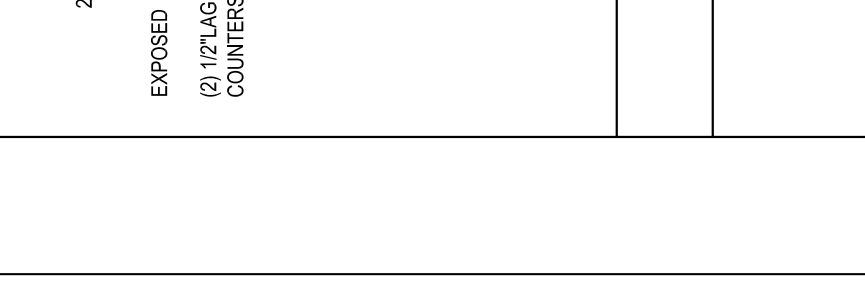
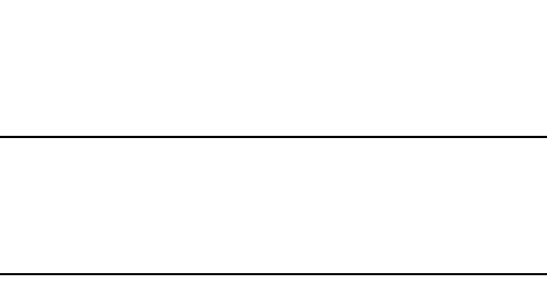
**CHANGE OF SLAB LEVEL 11**



**TRELLIS 15**



**GUTTER 12**



**GENERAL INSTALLATION NOTES**

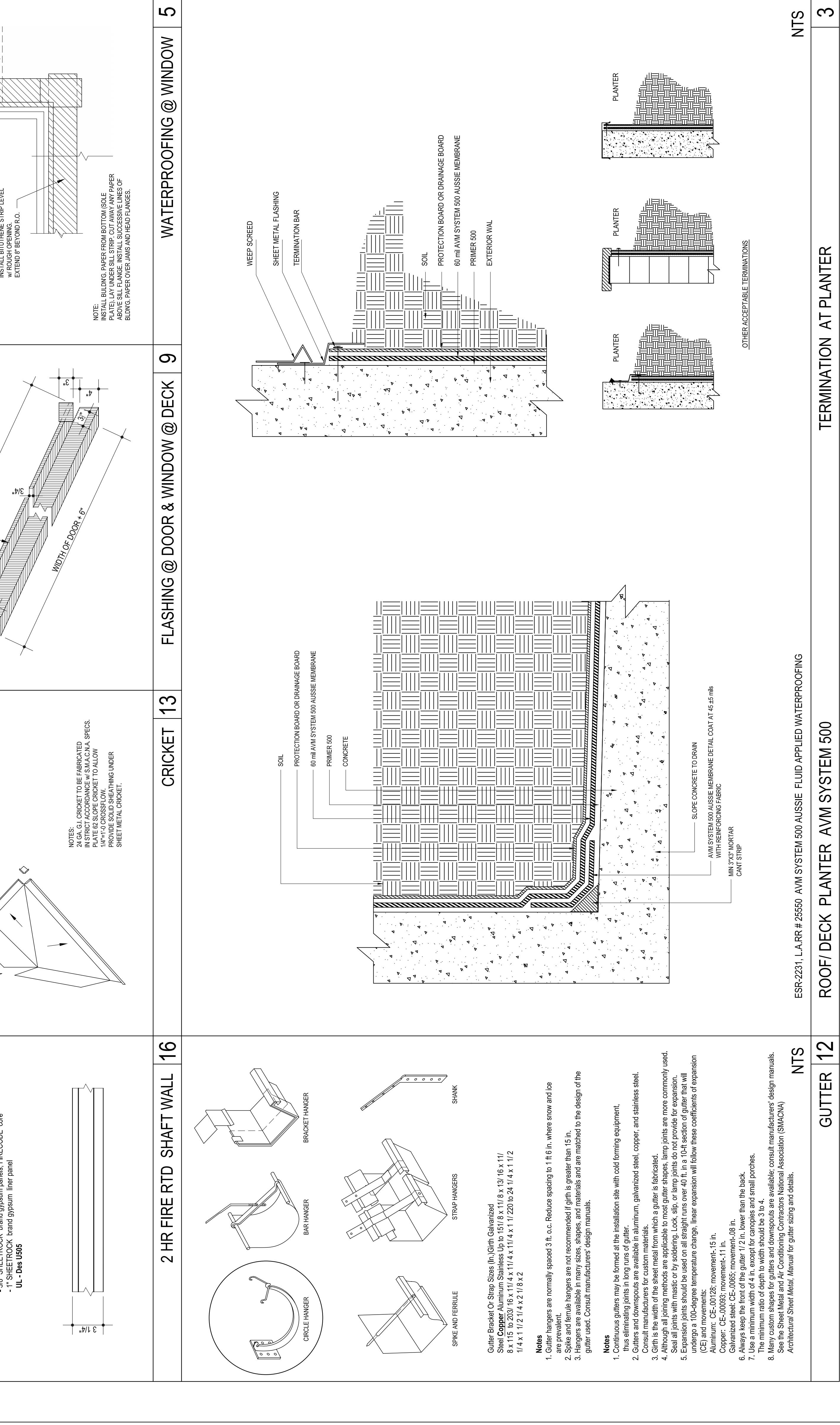
**Preparation:**

- When there is a break in the wall or below coping waterproofing, the tie-in detail between wall and earth retaining system used on your particular project: Chemically Stabilized Earth.
- When there is below floor and/or below coping waterproofing, the tie-in detail between wall and earth retaining system used on your particular project: Chemically Stabilized Earth.
- Waterproof all protrusions such as tie-backs, bolts etc. (Details 1 thru 7, and 11).
- Prepare waterproofing at all expansion joint locations (Detail 13) and at all plaster construction joints not adjacent to plaster require the special Paraseal LG. (Details 1 thru 7, and 11).
- Temporary terminate Paraseal LG at the top of concrete wall with a minimum of three (3) inches for shotcrete walls. Nail all seams every 24" o.c. and wood lapping and a bow stake on all other earth retaining systems (Detail 20). For structures with open edge forming upward (Detail 16), vertical seams should occur at least 4" from the top and 4" from the bottom of the wall.
- When the placement of either inside or outside wall placement repair any Paraseal LG installation which has been damaged.
- If the structural wall is poured-in-place, the concrete should be placed in a minimum of 4" above the Paraseal LG. If the structure wall is shotcrete, the Paraseal LG should be installed first. (Figure 2 thru 7).

**Wall Placement:**

- Prior to wall placement repair any Paraseal LG installation which has been damaged.
- If the structural wall is poured-in-place, the concrete should be placed in a minimum of 4" above the Paraseal LG. If the structure wall is shotcrete, the Paraseal LG should be installed first. (Figure 2 thru 7).

**DETAILS FOR PARASEAL LG INSTALLATIONS 2**



**PARASEAL LG INSTALLATION OF CHEMICALLY STABILIZED EARTH 1**

**TERMINATION AT PLANTER 3**

**FLASHING @ DOOR & WINDOW @ DECK 9**

**CRICKET 13**

**2 HR FIRE RTD SHAFT WALL 16**

**GUTTER 12**